

SONY

Car Stereo
Service Bulletin

CSA-14

Sony Service Company - Technical Services
A Division of Sony Electronics Inc.
Sony Drive, Park Ridge, New Jersey 07656

Model: CDX-A35RF/U70/U303

No. 306

Subject: No Operation

Date: December 31, 1993

Symptom:
(11)

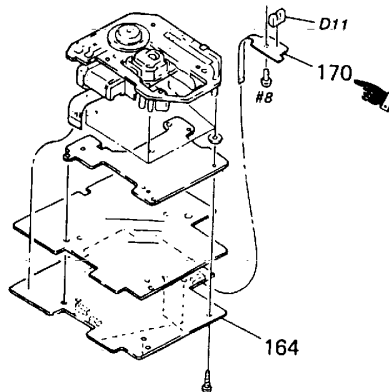
The CD changer does not operate. This may be caused by newer EHS flexible boards which are made of phenolic paper, and which may allow the position of photosensor diode D11 to shift. Consequently, the microcontroller cannot detect movement of the EV gear.

Solution:

If this problem occurs in units equipped with the phenolic paper type EHS flexible board, replace it with the original type flexible board, which is made of epoxy resin.

REF	DESCRIPTION	PART NUMBER
170	EHS FLEXIBLE BOARD	1-637-483-11

Applicable Serial Numbers: CDX-A35RF 10001 - 15000
CDX-U70 22201 - 26200
CDX-U303 18901 - 21000



Reference: Technical News ME93023
Autoflagged - NO



PRINTED IN USA
CSA-141293-1